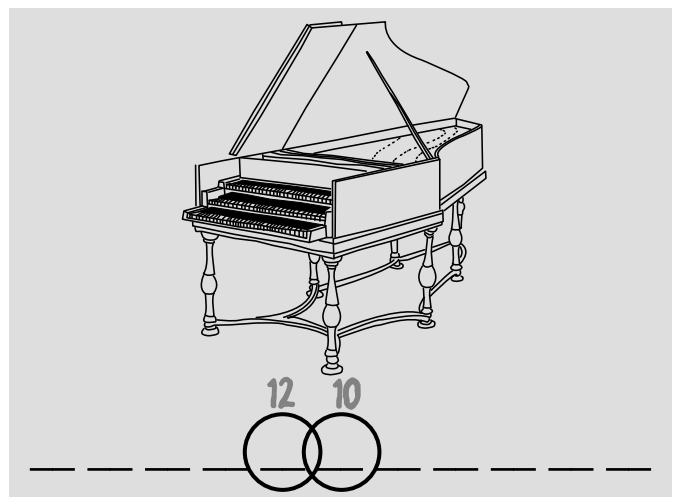
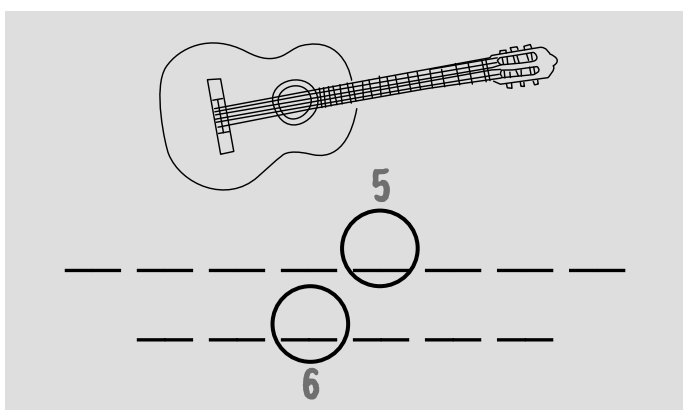
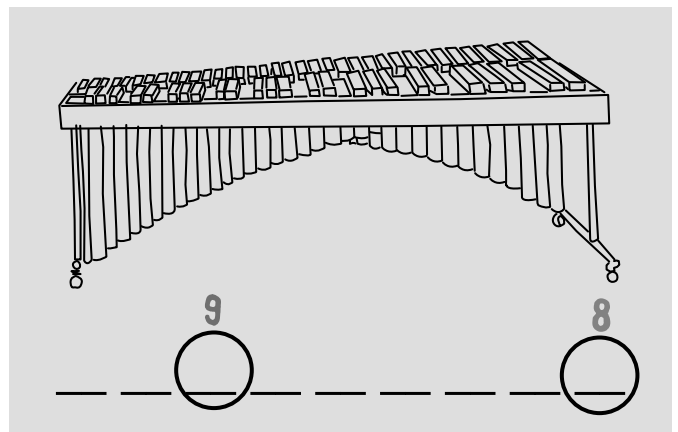
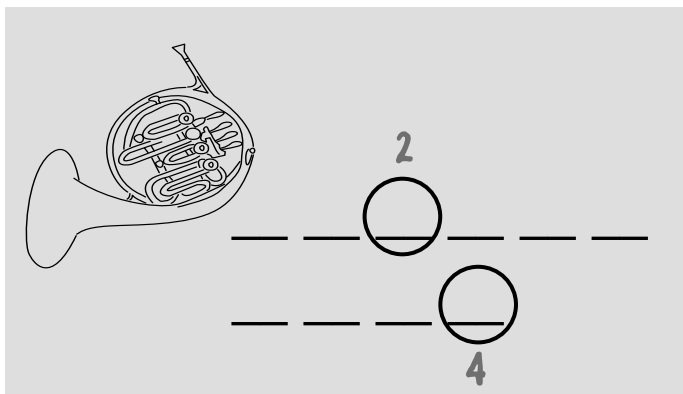
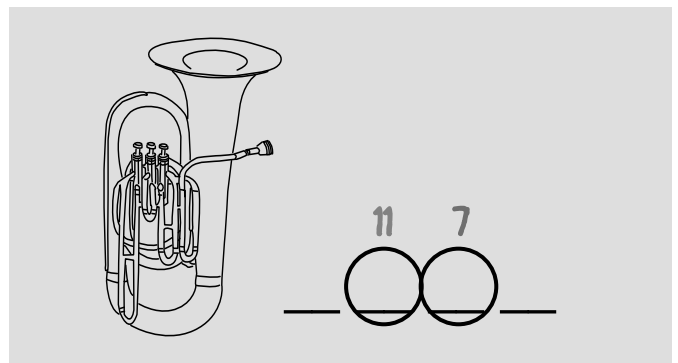
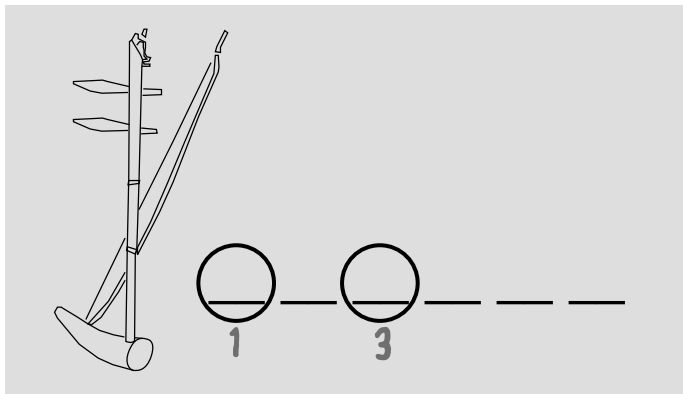


# Name the Instrument Level 4 sheet 2

From the picture clues names the instrument, then transpose the circled letter to the answer space. This will be the answer to your music trivia question:

**Which composer wrote a piece of music that the World War 2 Nazis banned from performance?**



**Which composer wrote a piece of music that the World War 2 Nazis banned from performance?**

\_\_\_\_\_

1    2    3    4            5    6    7    8    9    10    11    12